

HA 20 PX



- +70 / -70° fly jib.
- 44 ft 3 in (13.5m) horizontal outreach.
- Standard 4 wheel drive and 4 wheel steer.
- 230 kg (507 lb) platform capacity.
- 40% gradeability.



The Haulotte® advantages

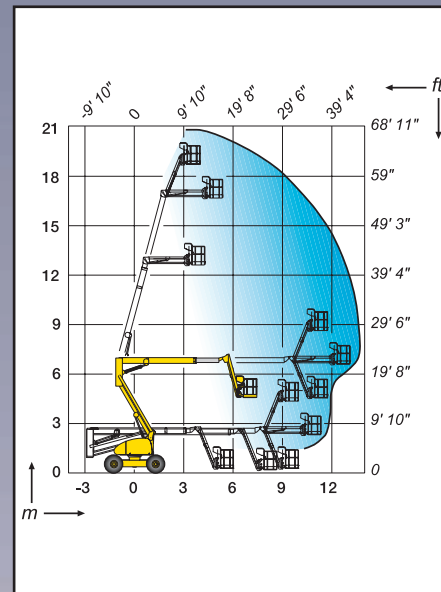
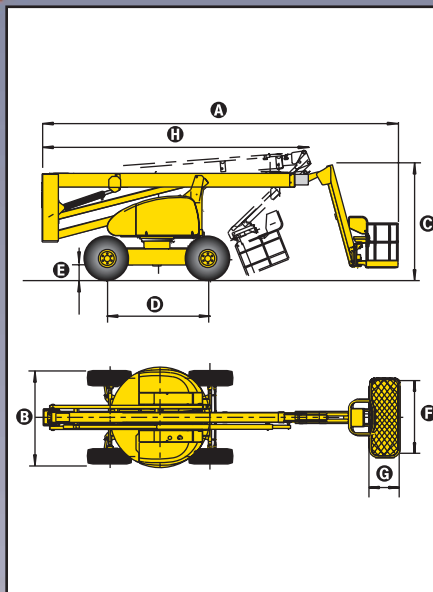
- Improved working area via a positive / negative articulating fly jib with 140° movement
- 12 ft 10 in (3.9 m) turning radius for improved manoeuvrability
- Hydraulic differential lock and 17 in (42 cm) ground clearance for improved rough terrain capability
- Continuous 360° turntable rotation
- 180° hydraulic platform rotation
- Compact travel / transport dimensions
- Full proportional controls and simultaneous boom functions improve productivity
- Work platform overload limiter increases safety
- 2.8 mph (4.5 km/h) travel speed
- Robust, reliable and easy to maintain design

STANDARD FEATURES

- 4 wheel drive and 4 wheel steer
- 5° tilt alarm
- Deutz diesel engine
- 220 V/16 A power line to platform
- 12 V proportional controls at platform
- Free wheeling device
- Battery electric emergency lowering system
- Safe use in winds up to 28 mph (45 km/h)
- Hourmeter
- Slewing block pin
- Towing hooks / lifting eyes
- 2 hooks for safety harness in platform

OPTIONS & ACCESSORIES

- Rotating beacon
- Flashing light
- Travel alarm
- Catalytic exhaust
- 2.3x0.8 m / 7 ft 6 in x 2 ft 7 in large platform
- On-board 3.3 kW generator
- Encoded starting device
- Working light
- Hot countries kit / Cold countries kit
- 250 kg (550 lb) of capacity with a wind up to 37 mph (60 km/h) (machine weight : 12260 kg / 27 029 lb)



SPECIFICATIONS

| | | |
|-----------------------------------|-----------------------------|------------------|
| Working height | 67 ft 9 in | 20.65 m |
| Platform height | 61 ft 2 in | 18.65 m |
| Horizontal outreach | 44 ft 4 in | 13.5m |
| Up & over clearance | 22 ft 4 in | 6.8 m |
| Platform capacity | 507 lb | 230 kg |
| Fly jib range of motion | 140° (+70°/-70°) | 140° (+70°/-70°) |
| A Stowed length | 29 ft 6 in | 9.0 m |
| B Width | 7 ft 10 in | 2.38 m |
| C Stowed height | 9 ft 1 in | 2.76 m |
| D Wheelbase | 9 ft 2 in | 2.8 m |
| E Ground clearance | 17 in | 42 cm |
| F x G Platform size | 71 in x 32 in | 1.8 m x 0.8 m |
| H Travel/transport length | 22 ft 4 in | 6.8 m |
| Tailswing | 0 | 0 |
| Drive speed | 0.6-2.8 mph | 1-4.5 km/h |
| Outside turning radius | 12 ft 10 in | 3.9 m |
| Turntable rotation (continuous) | 360° | 360° |
| Hydraulic platform rotation | 180° | 180° |
| Gradeability | 40% | 40% |
| Engine | Diesel Deutz 57,1 hp - 42kW | |
| Controls | proportional | |
| Tyres (foam filled) | 365/65 - 22.5 | |
| Hydraulic tank | 40 gallons | 150 l |
| Fuel tank | 40 gallons | 150 l |
| Weight | 25.821 lb | 11.710 kg |

AS 1418.10

